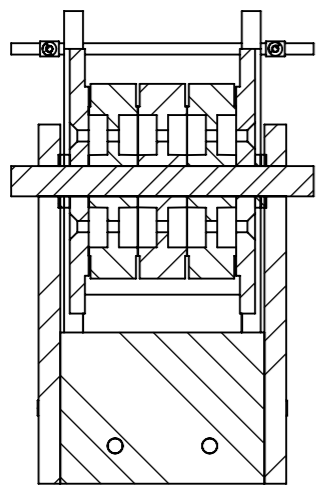
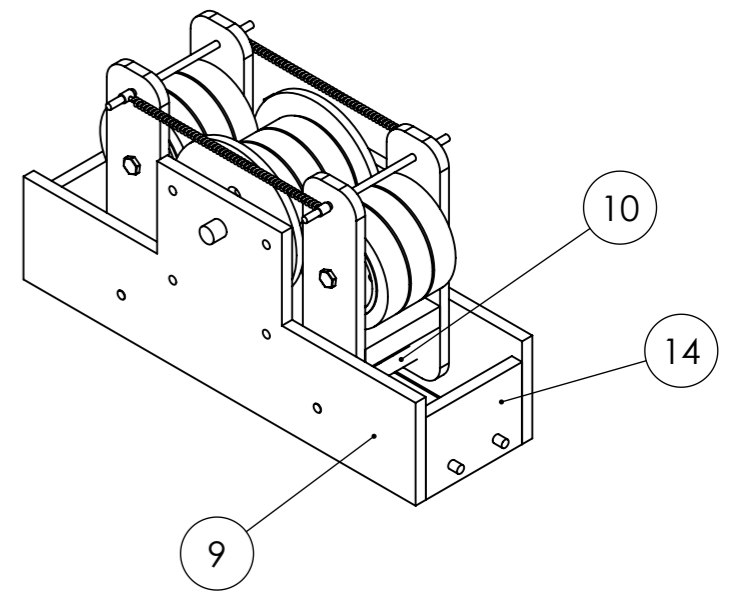
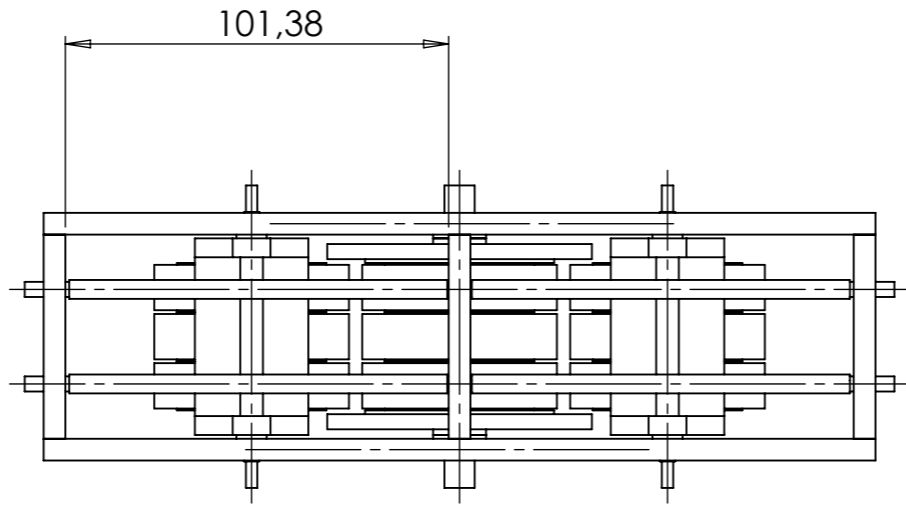
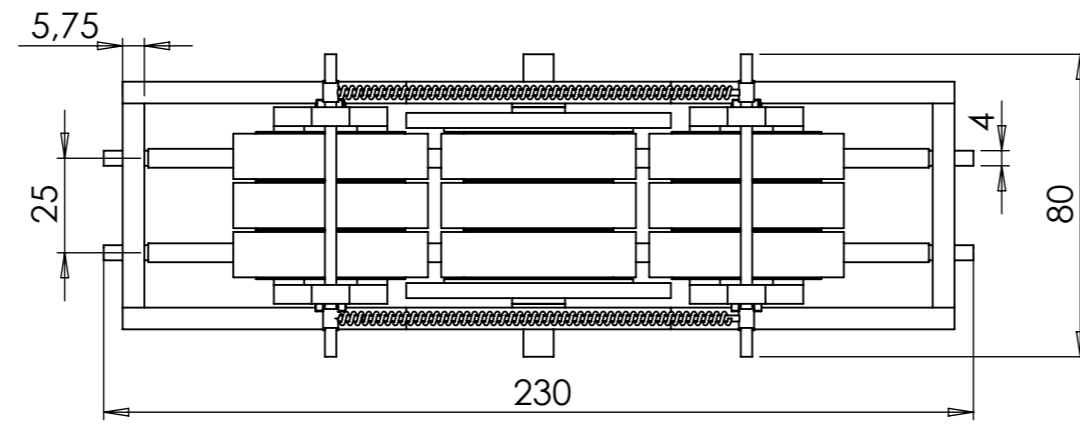
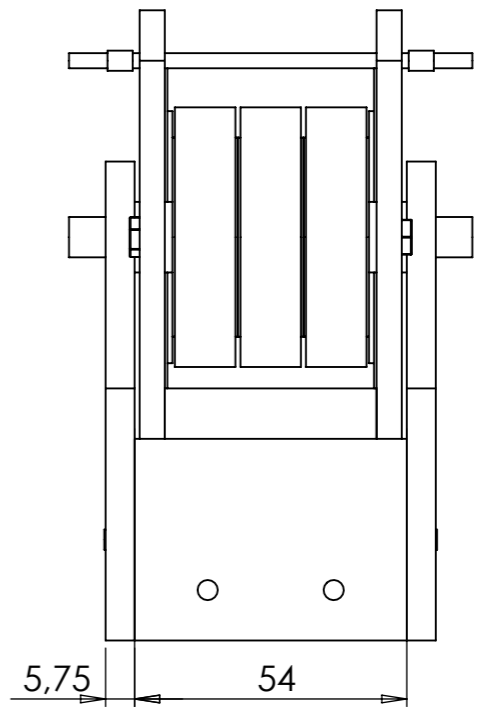
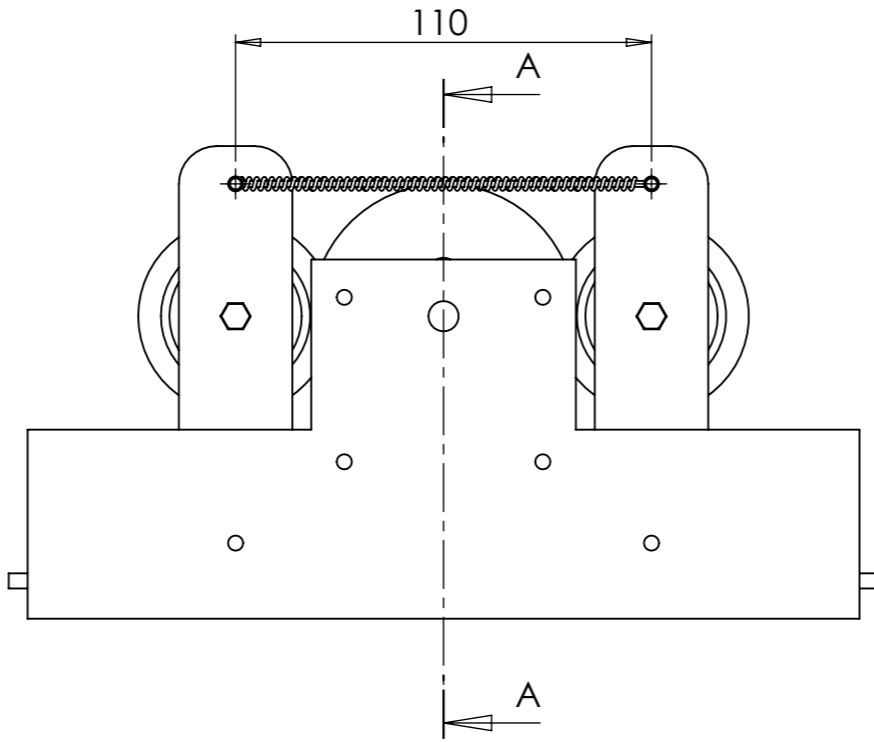


1 2 3 4 5 6 7 8

A B C D E F



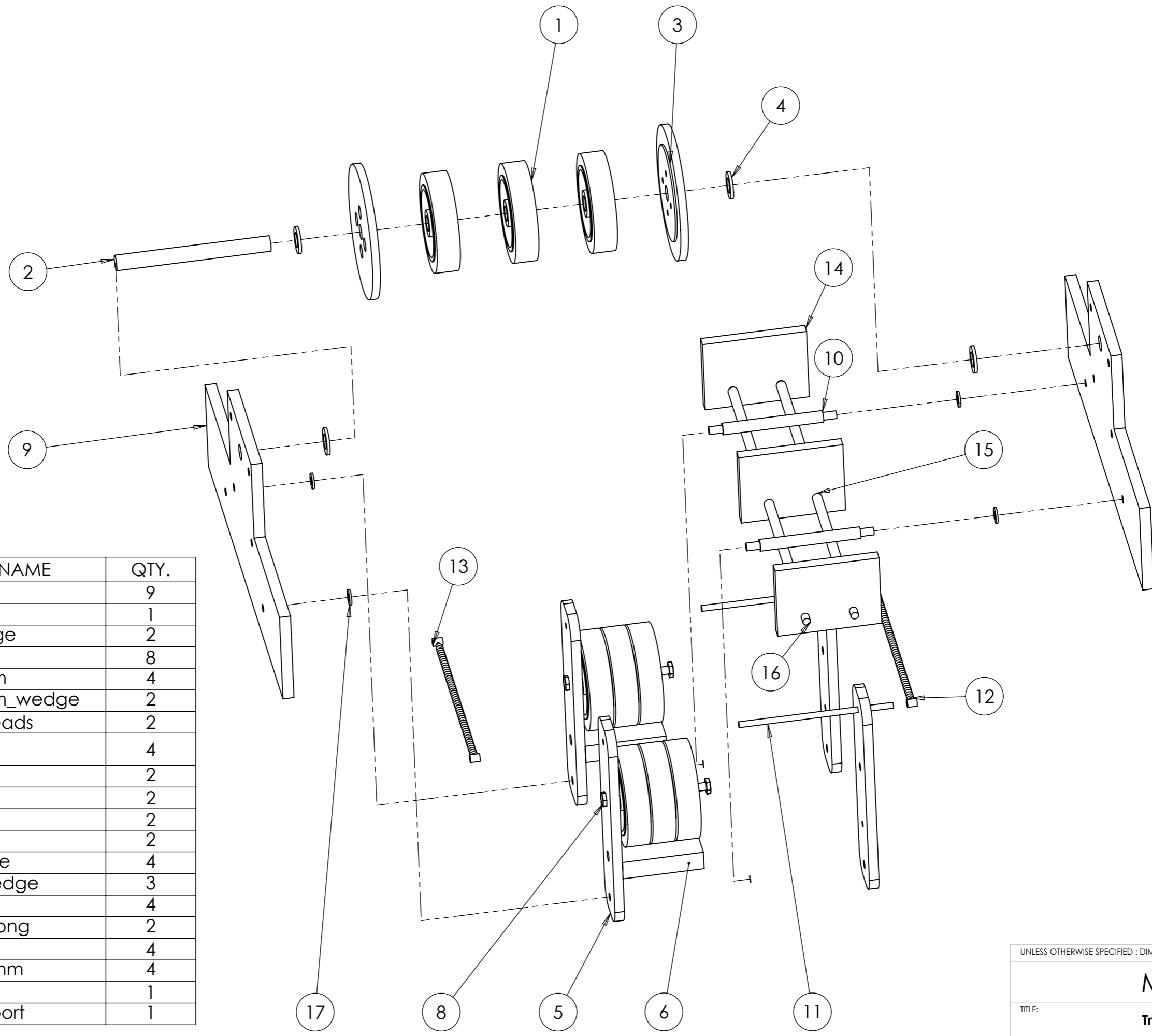
COUPE A-A



UNLESS OTHERWISE SPECIFIED : DIMENSIONS ARE IN MILLIMETERS

Medusa 1			
TITLE: Treuil avaleur			
REVISION	1.0	AUTHOR	Eric PASCUAL
		DATE	02/01/2009
SCALE		SHEET	1 OF 7
		FORMAT	A3

1 2 3 4 5 6



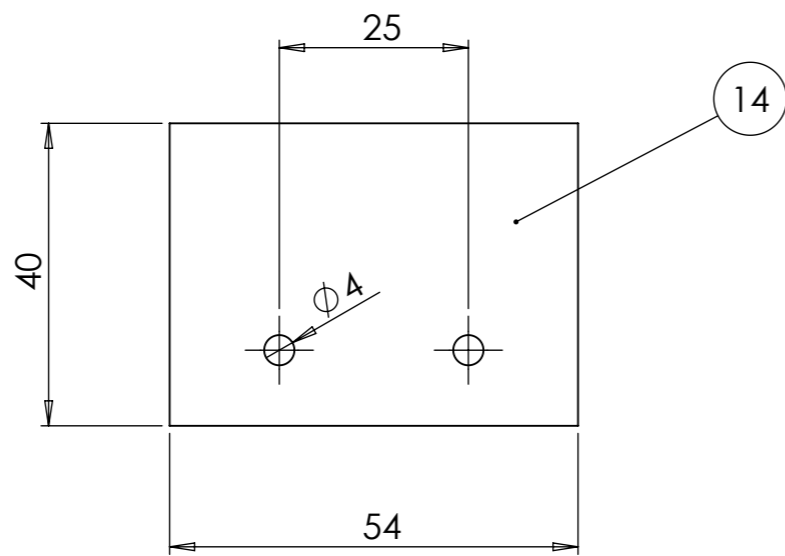
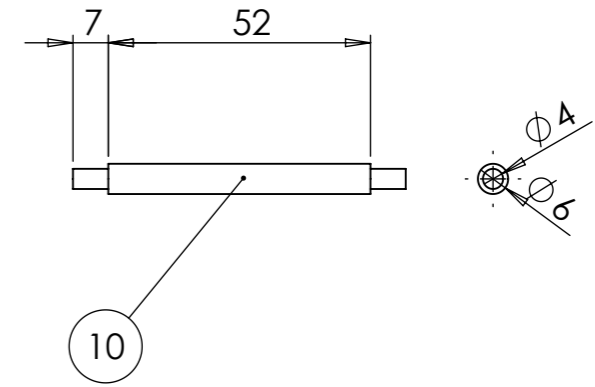
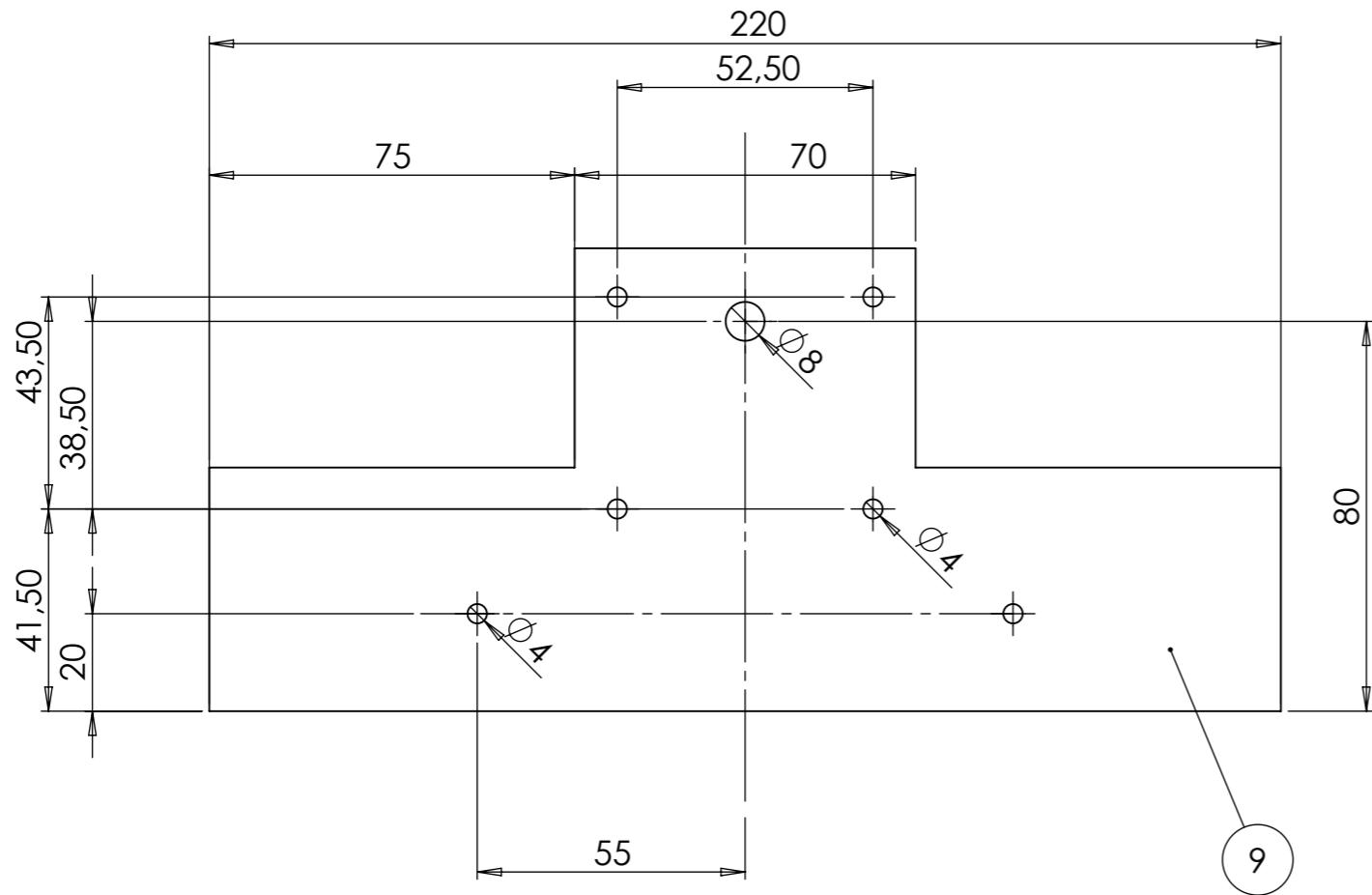
ITEM NO.	PART NAME	QTY.
1	wheel	9
2	axle	1
3	wheel_flange	2
4	washer_D8	8
5	moving_arm	4
6	moving_arm_wedge	2
7	axle_w_threads	2
8	bolt_M4x10	4
9	flange	2
10	axis_4mm	2
11	axis_3mm	2
12	spring	2
13	spring_fixture	4
14	flandge_wedge	3
15	guide	4
16	axis_4mm_long	2
17	washer_D4	4
18	wedge_20mm	4
19	motor-1	1
20	motor_support	1

UNLESS OTHERWISE SPECIFIED : DIMENSIONS ARE IN MILLIMETERS

Medusa 1

TITLE: **Treuil avaleur**

REVISION	1.0	AUTHOR	Eric PASCUAL	DATE	02/01/2009
SCALE		SHEET 2 OF 7		FORMAT	A3

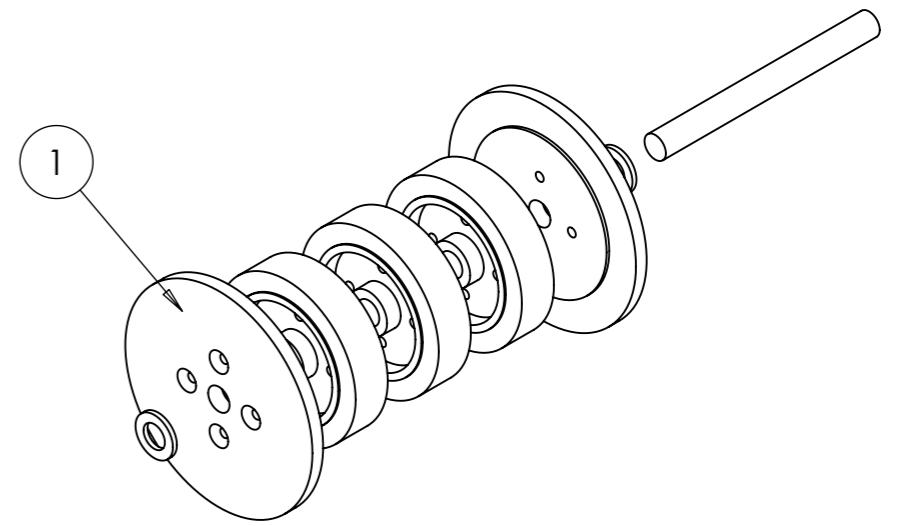
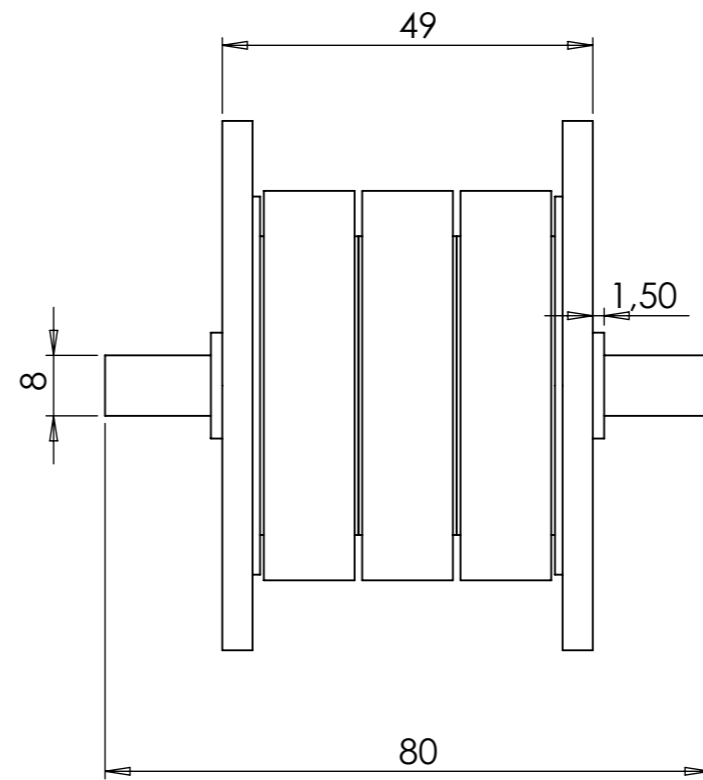
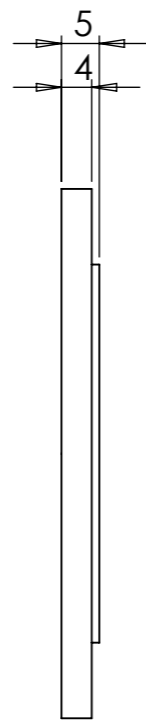
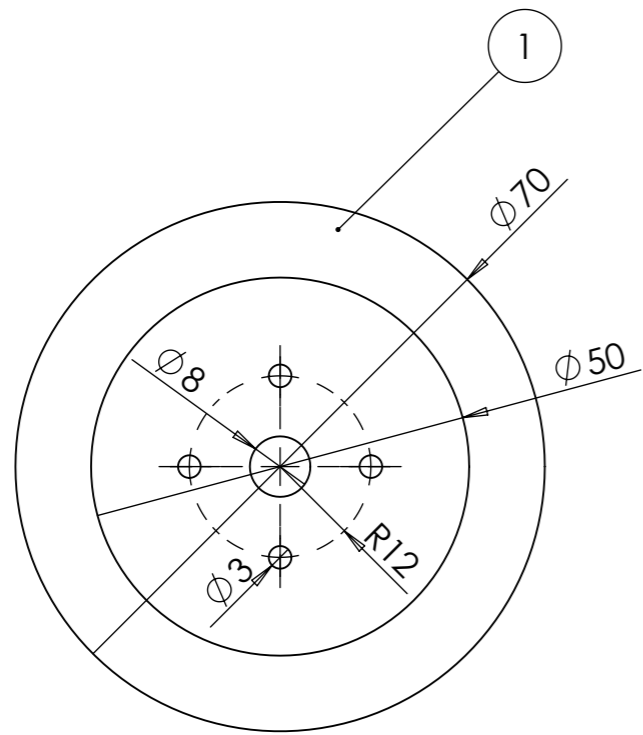


UNLESS OTHERWISE SPECIFIED : DIMENSIONS ARE IN MILLIMETERS

Medusa 1

TITLE: **Treuil avaleur**

REVISION	1.0	AUTHOR	Eric PASCUAL	DATE	02/01/2009
SCALE		SHEET 3 OF 7		FORMAT	A3

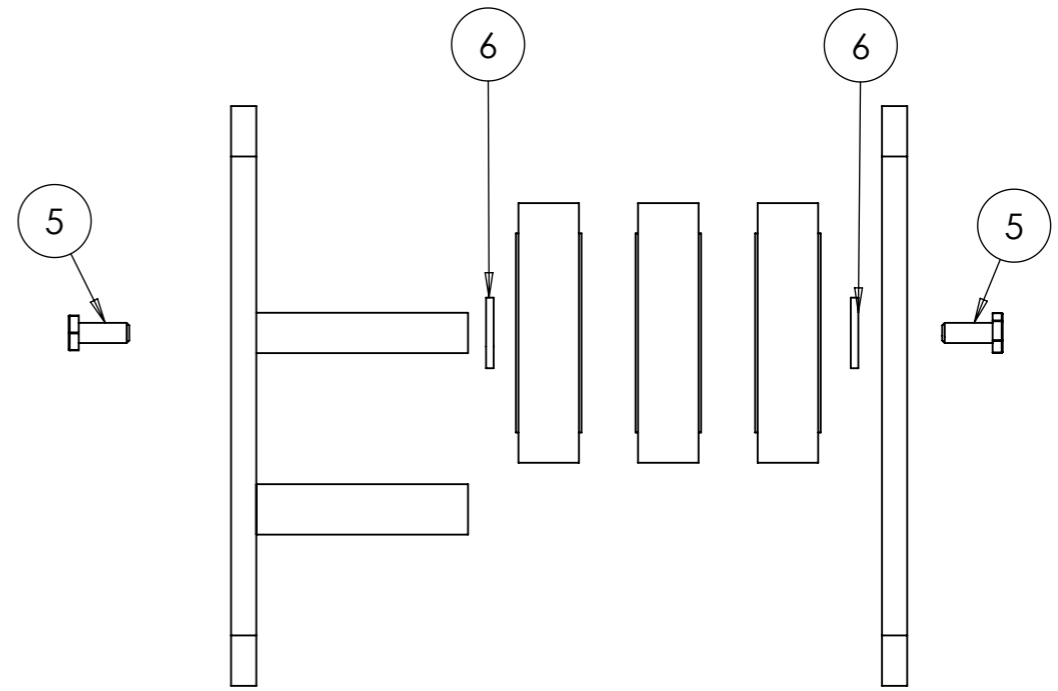
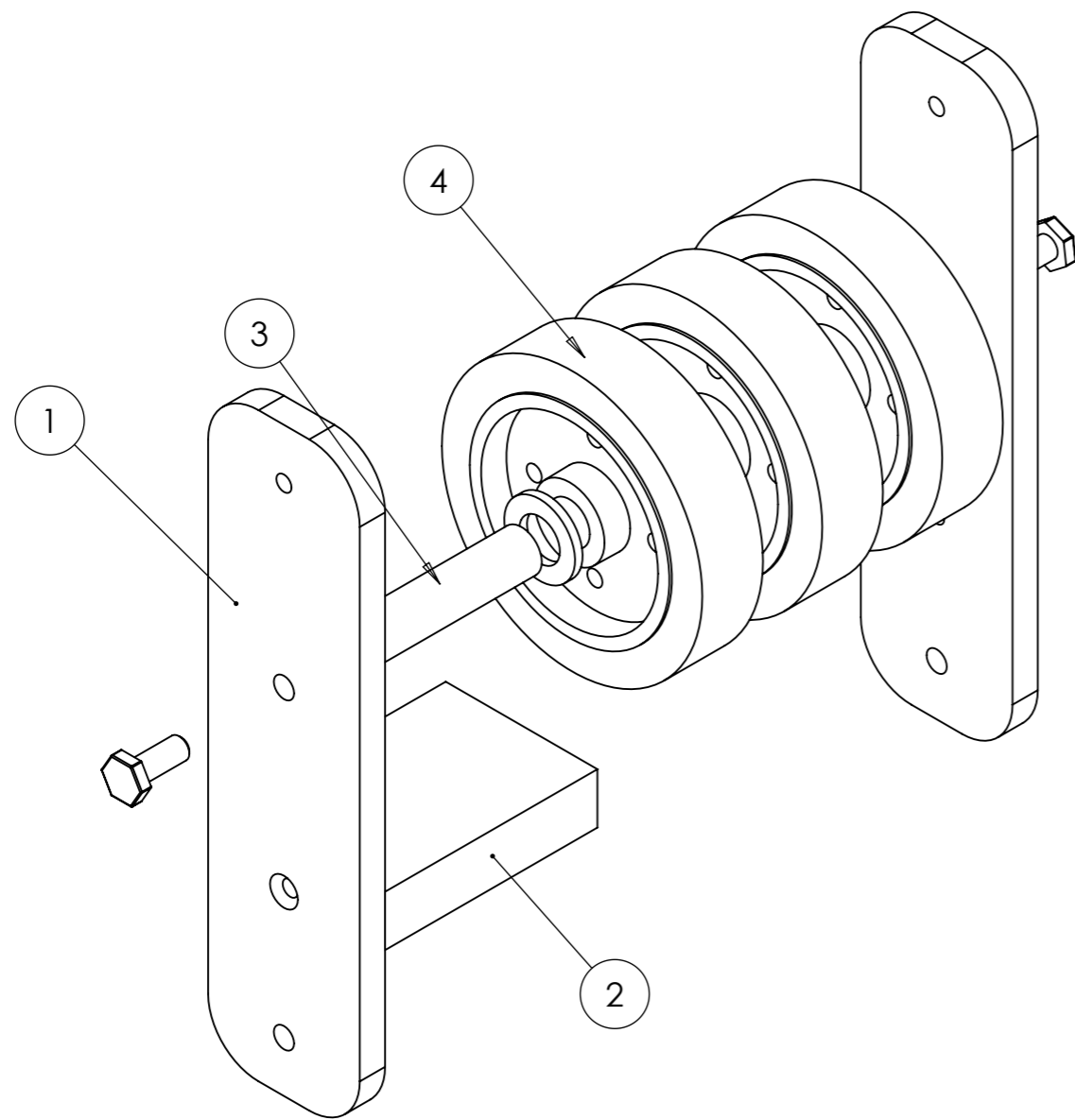


UNLESS OTHERWISE SPECIFIED : DIMENSIONS ARE IN MILLIMETERS

Medusa 1

TITLE: **Treuil avaleur**

REVISION	1.0	AUTHOR	Eric PASCUAL	DATE	02/01/2009
SCALE		SHEET 4 OF 7		FORMAT	A3



ITEM NO.	PART NAME	QTY.
1	bras	2
2	entretoise	1
3	axe acier inox	1
4	galet imprimante	3
5	boulon M4x0.7 - lg:10	2
6	rondelle D8x1.5	2

Galet presseur mobile
vue d'assemblage

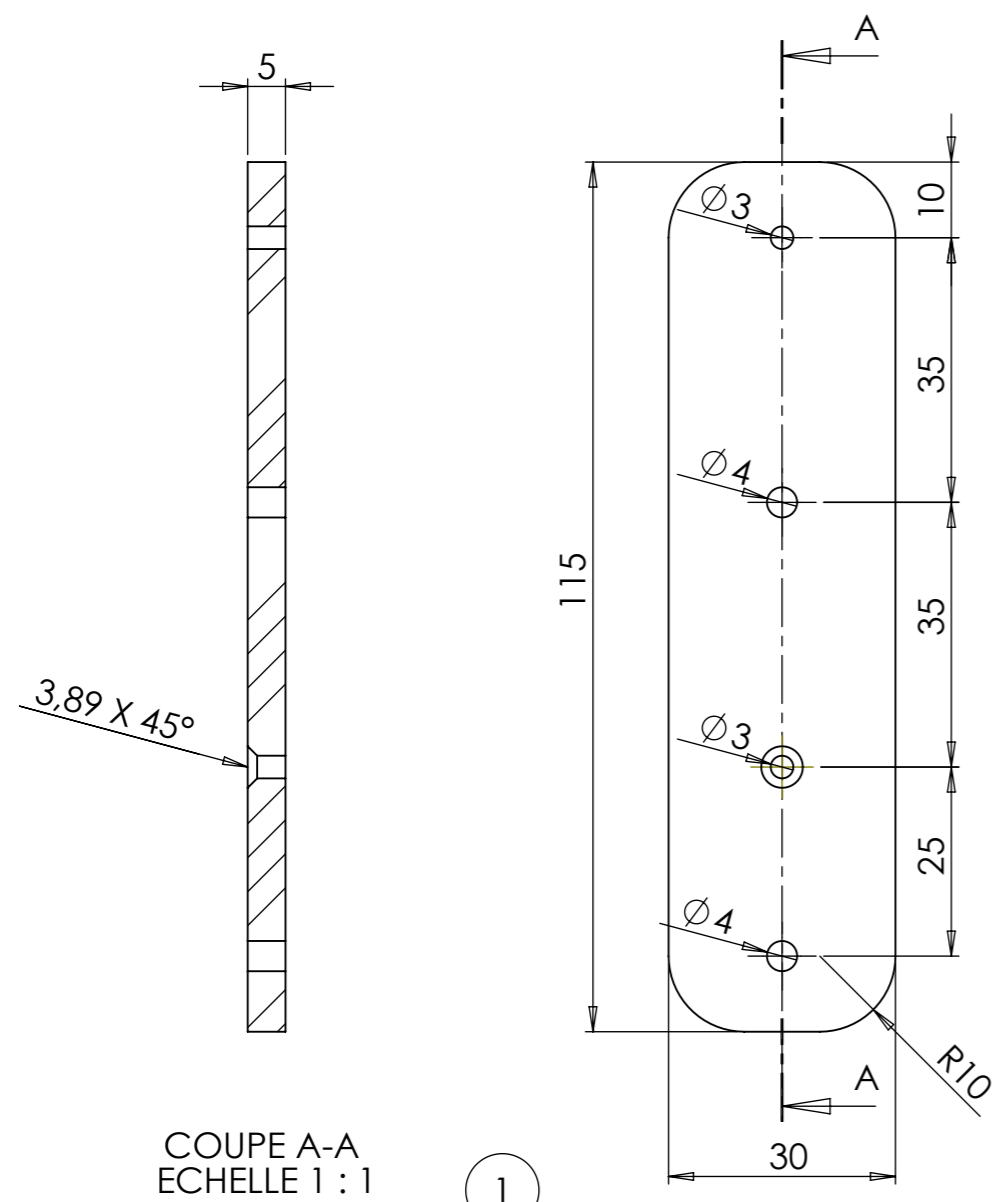
UNLESS OTHERWISE SPECIFIED : DIMENSIONS ARE IN MILLIMETERS

Medusa 1

TITLE:
Treuil avaleur

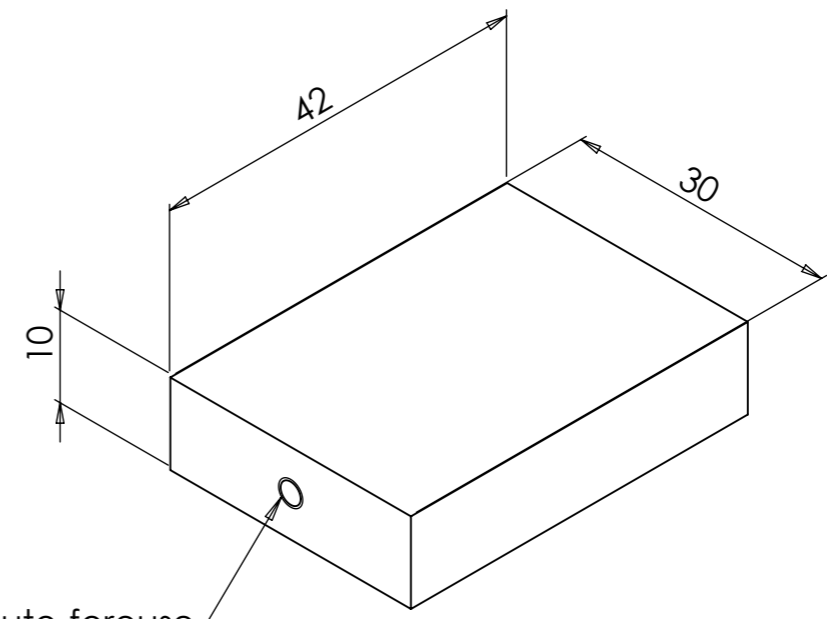
REVISION 1.0 AUTHOR Eric PASCUAL DATE 02/01/2009

SHEET 5 OF 7



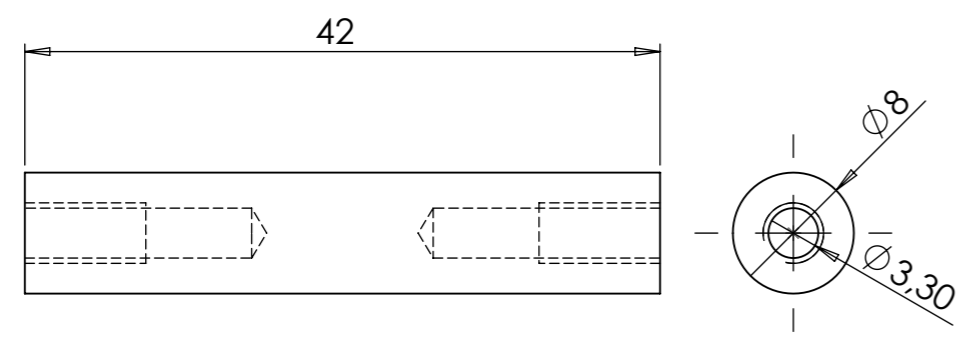
COUPE A-A
ECHELLE 1 : 1

1

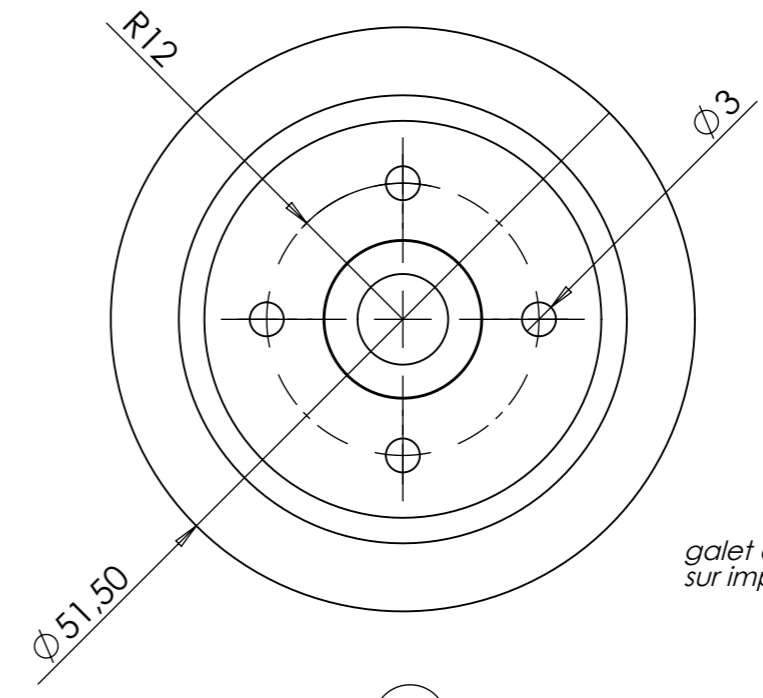


filetage M3 / prof.10
ou avant-trou pour auto-foreuse

2



3

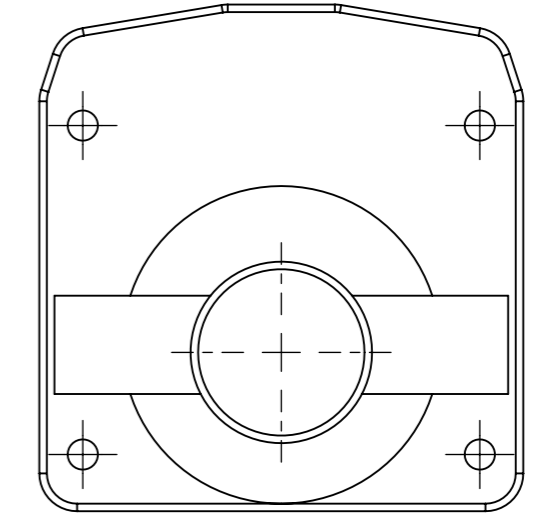
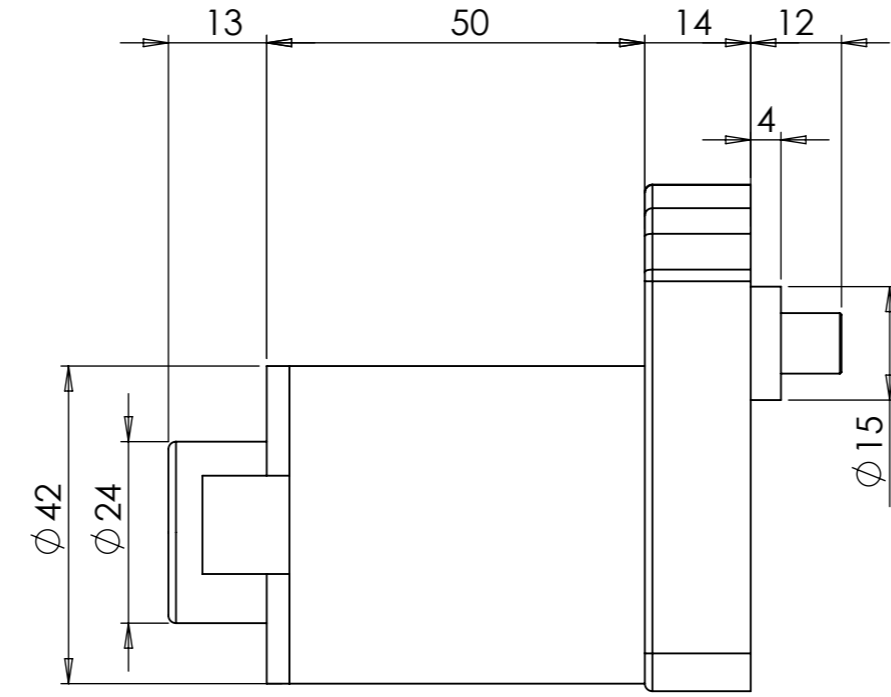
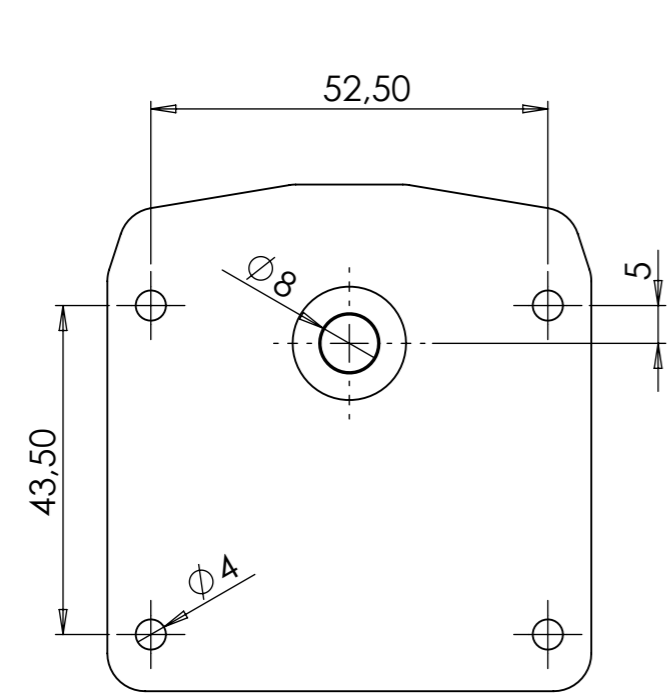
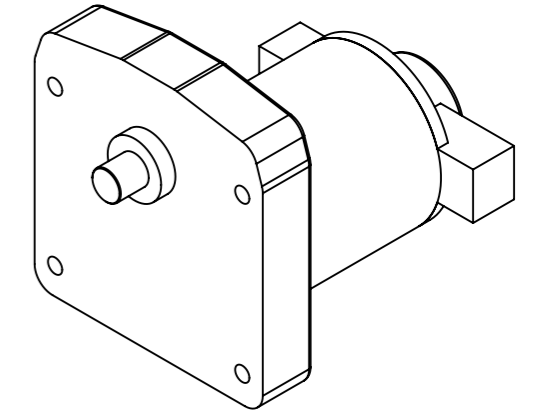
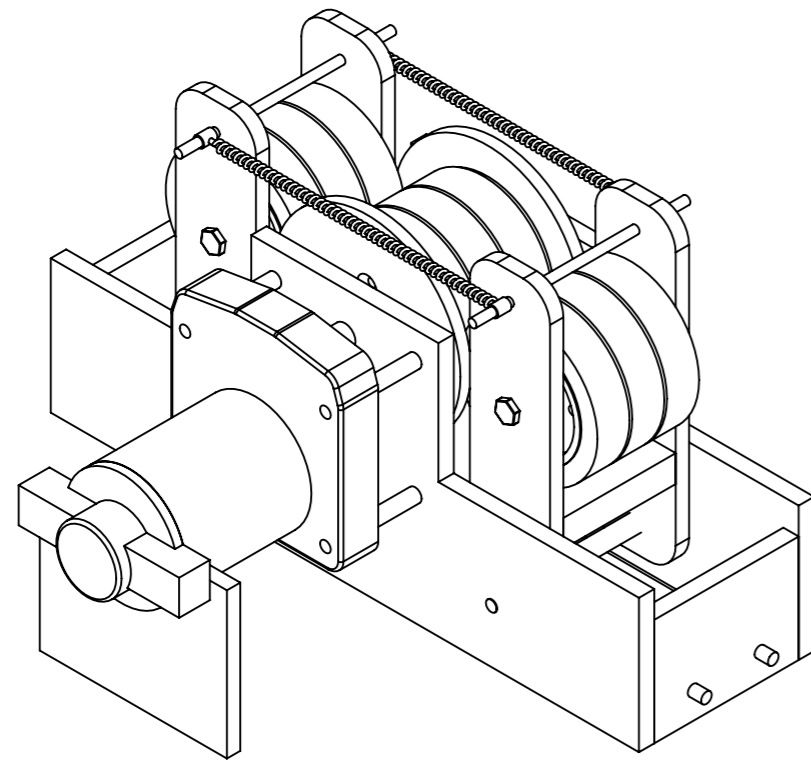


*galet entraineur papier récupéré
sur imprimante à jet d'encre*

4

Galet presseur mobile
détail composants

UNLESS OTHERWISE SPECIFIED : DIMENSIONS ARE IN MILLIMETERS			
Medusa 1			
TITLE: Treuil avaleur			
REVISION	1.0	AUTHOR Eric PASCUAL	DATE 02/01/2009
SHEET 6 OF 7			



UNLESS OTHERWISE SPECIFIED : DIMENSIONS ARE IN MILLIMETERS

Medusa 1

TITLE: **Treuil avaleur**

REVISION	1.0	AUTHOR	Eric PASCUAL	DATE	02/01/2009
SCALE			SHEET 7 OF 7	FORMAT	A3